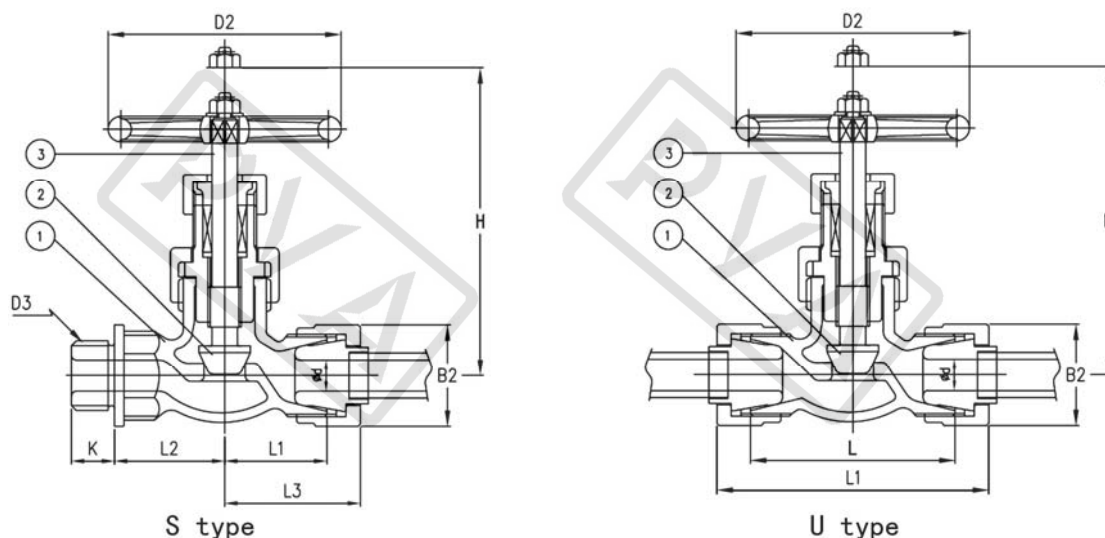


JISF7388 20K CAST BRONZE GLOBE VALVE



Pressure Test MPa			
Nominal Pressure/PN	2.0MPa	Shell Test	4.20MPa
		Seat Test	3.08MPa

Main material for fittings			
Item	Fittings	Material	Mark
1	Body	Cast Bronze	BC6
2	Bonnet	Forged Brass	C3771BD
3	Disc	Cast Bronze	BC6
4	Seat	Cast Bronze	BC6
5	Stem	Forged Brass	C3771BD
6	Handwheel	Cast Iron	FC200

Main data for flange connection												mm	
Model	Pipe OD		Face To Face Dimension					Structure Dimension				Weight	
	Copper	Steel	L	L1	L2	L3	K	D3	B2	H	D2		Kgs
F7388 20K6S	8/10	10.5	-	32	32	41	12	M20*1.5	30	100	63	0.81	
F7388 20K10S	15	17.3	-	36	35	48	16	M24*2	41	115	80	1.22	
F7388 20K6U	8/10	10.5	64	82	-	-	-	-	30	100	63	0.85	
F7388 20K10U	15	17.3	72	96	-	-	-	-	41	115	80	1.37	

Design	Check	Signature	Logo	Supplier
asbsey	Chrit	Figor		PROMET VALVES AUSTRALIA
JAN.01,2013	JAN.01,2013	JAN.01,2013		

PROMET VALVES AUSTRALIA

1A Green Road Woodville West SA 5011 Australia / Tel:+61 8 8268 1777 / Fax:+61 8 8268 1711
 promet@prometvalves.com / www.prometvalves.com / ABN47 096 425 697